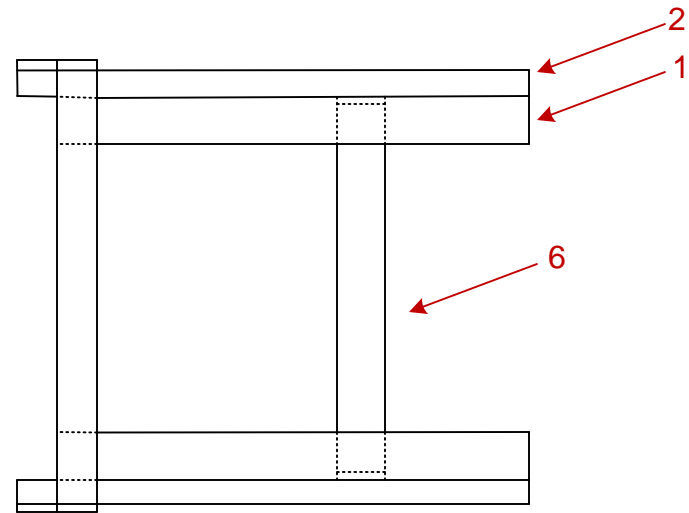
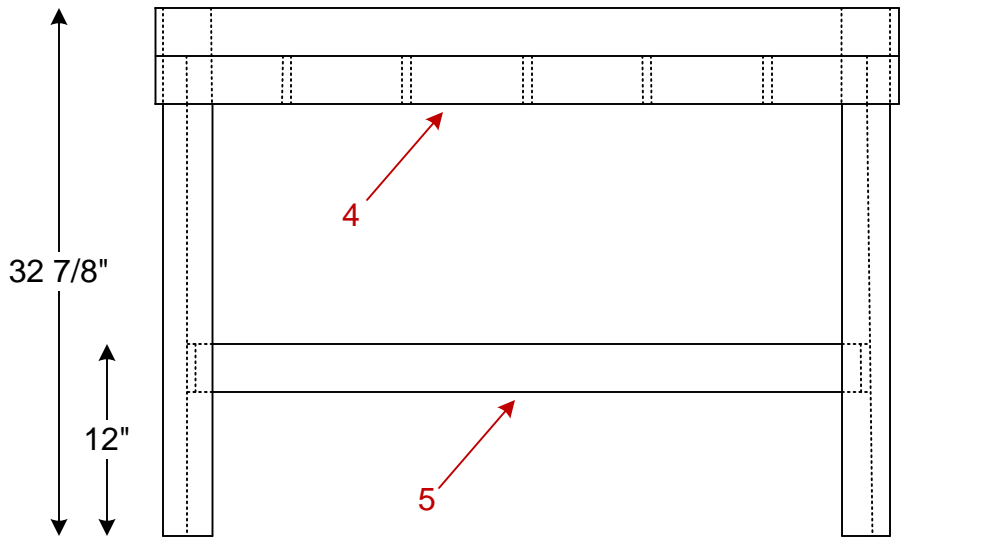


**Top View**



**End View**

**Open bottom design to eliminate  
rain/snow accumulation**



**Side View**

**Long Gun Staging Table  
Bill of Materials**

- 1** 4 – 2x4x29 3/8"
- 2** 4 – 2x4x32 7/8"
- 3** 7 – 1x4x16"
- 4** 4 – 1x4x36"
- 5** 2 – 1x4x31"
- 6** 2 – 1x4x11 1/2"

Treated lumber recommended  
2" Wood screws

A \$10 donation for the use of these plans can be sent to:  
Janet Black  
Cutter's Raiders  
11241 W 950 S  
Akron, IN 46920